

# ROLLNLOCK

EN Pulley / rope clamp  
 IT Carrucola / bloccante  
 FR Poulie / bloqueur  
 DE Seilrolle / Seilklemme  
 ES Polea / bloqueador  
 PT Roldana / bloqueador  
 SE Blocket / repklämman  
 NO Trinsen / tauklemmen  
 JP フーリー/ロックング



Ref. No. 2D652  
80 g

**MADE IN ITALY**  
**EN 12278:2007**  
**EN 567:1997**  
**CE 0333**

89/686/CEE -  
 Personal Protective Equipment against falls from a height.



by Aludesign S.p.A. via Torchio 22  
 I 24034 Cisono B.sco BG ITALY  
 Central tel: +39 035 78 35 95  
 Central fax: +39 035 78 23 39  
 www.climbingtechnology.com

## 1 COMPATIBILITY.

1.1

Rope Ø8x13mm

For use with:  
 Ropes EN 892 / EN1891 Ø 8 +13 mm.  
 Webbing 10+16 mm (Attention! Exceptional use, not to be used for the protection against falls from a height).

1.2

Attention!  
 Not to be used with cables!

Notified Body that performed the CE check:

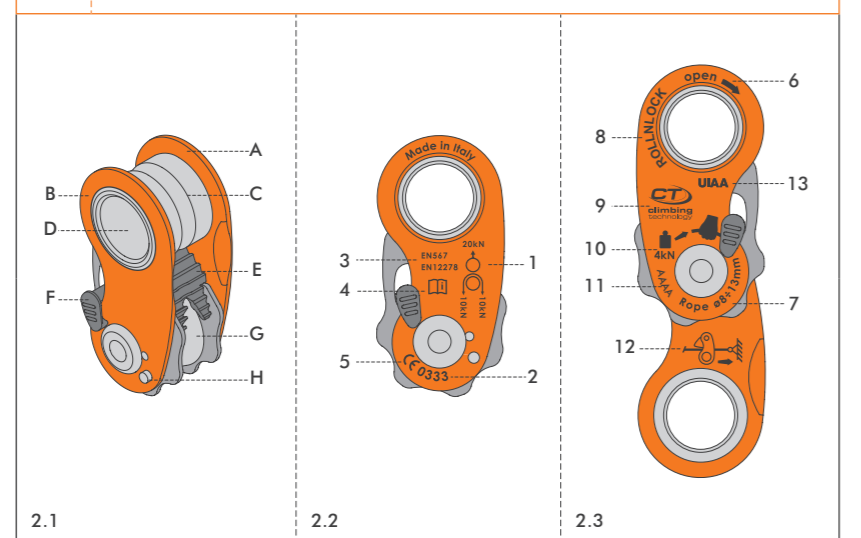
**afaq**  
 ISO 9001  
 QUALITE  
 AFFOR CERTIFICATION

NOTIFIED BODY "0082"  
 8, rue Jean-Jacques Vernazza  
 Z.A.C. Saumaty-Séon CS 60193  
 13322, Marseille Cedex16 FRANCE

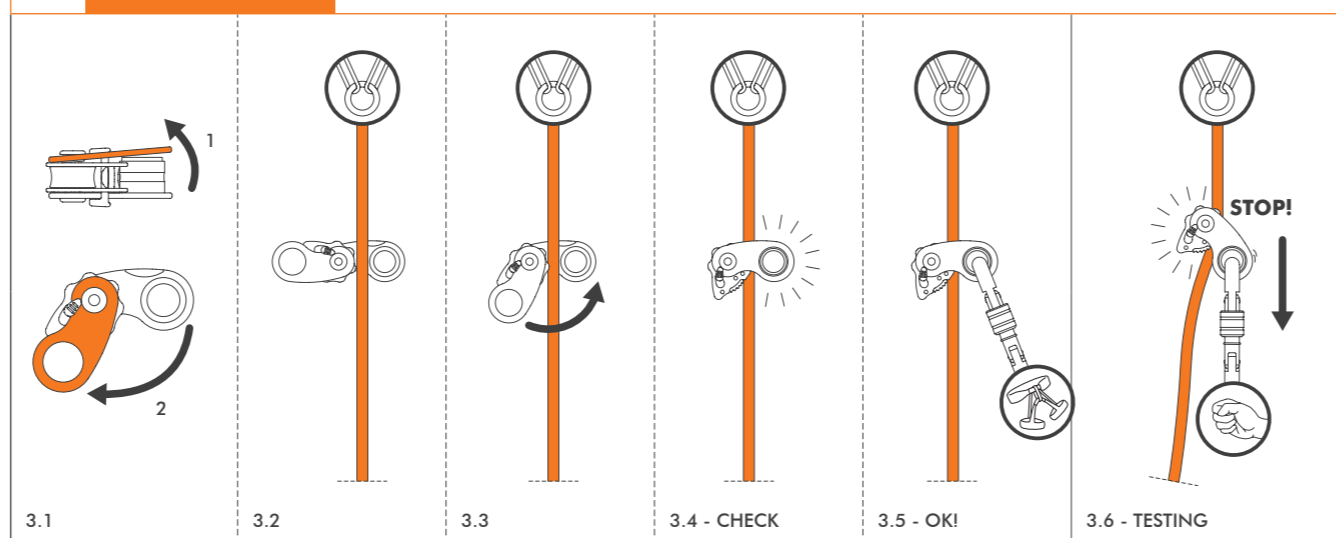
Notified Body that controls production:

**apave**  
 SUDEUROPE SAS  
 AFNOR CERTIFICATION - NOTIFIED BODY "0333"  
 11, rue Francis de Pressensé 93571  
 La Plaine Saint-Denis Cedex, FRANCE

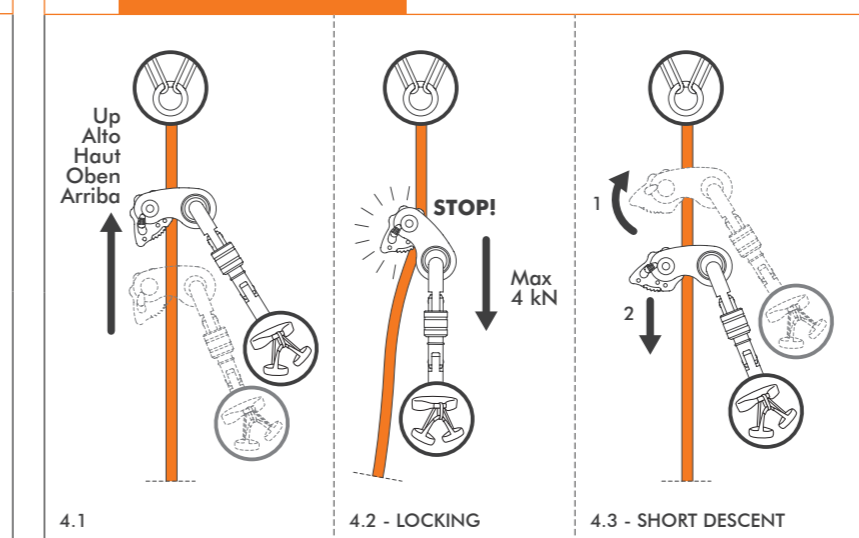
## 2 NOMENCLATURE OF PARTS



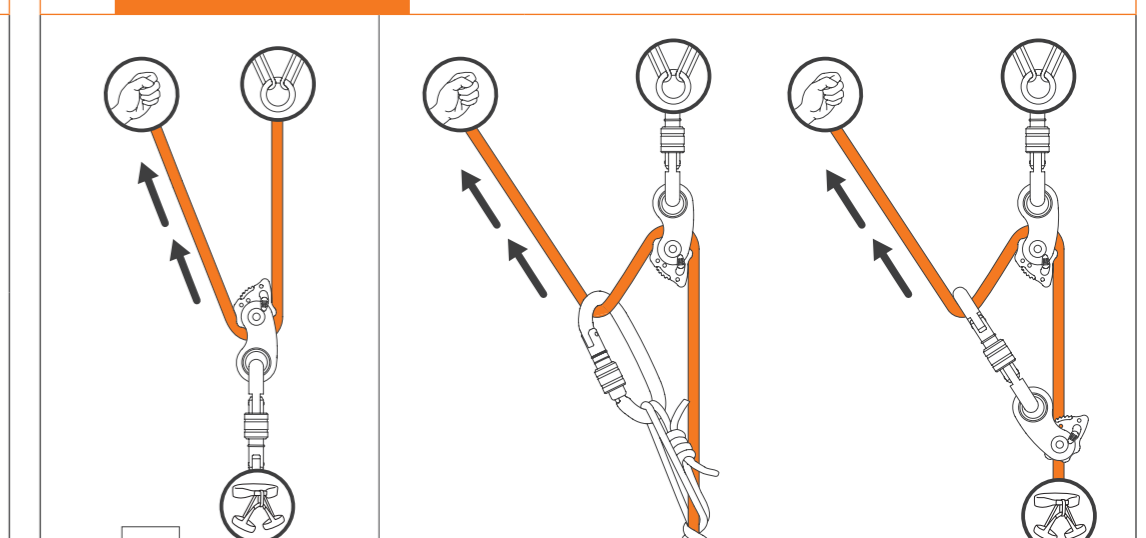
## 3 ROPE CLAMP MODE INSTALLATION



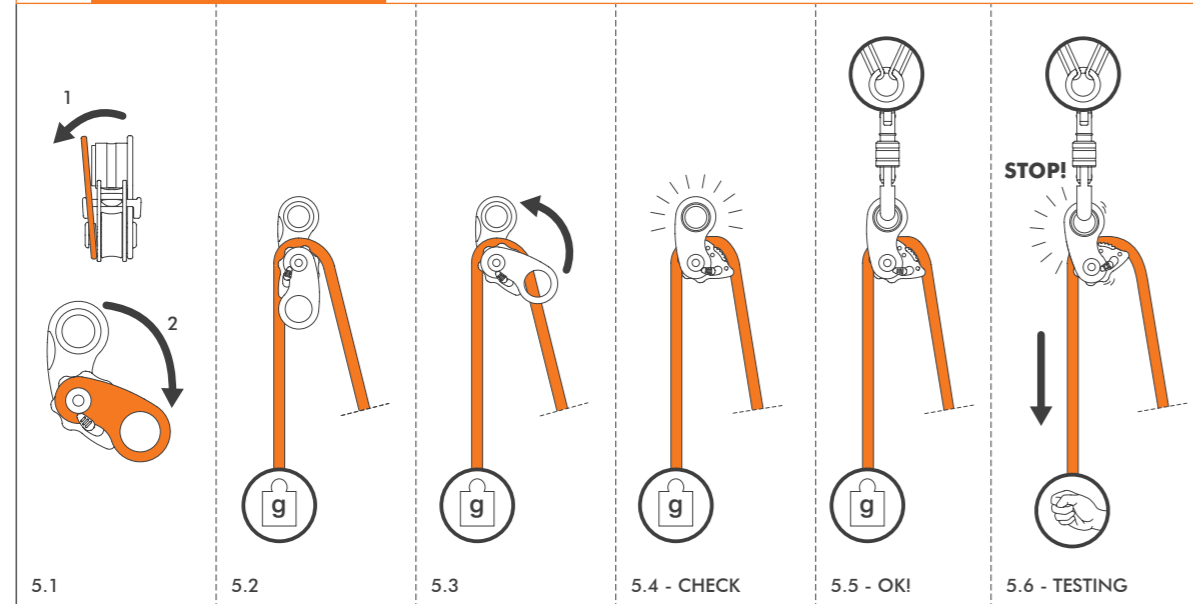
## 4 ROPE CLAMP MODE INSTRUCTIONS FOR USE



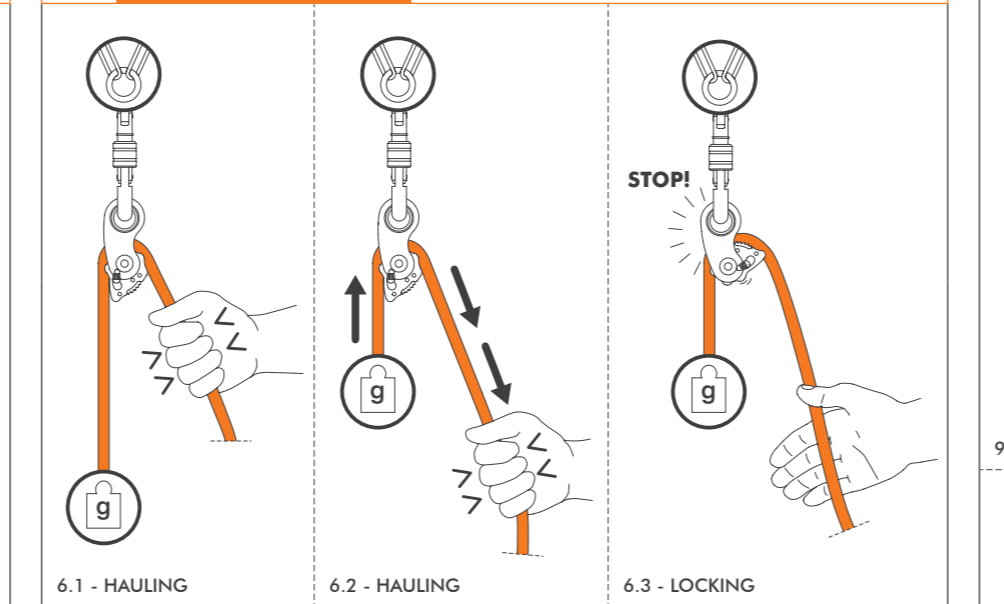
## 9 HAULING PULLEY MODE EXAMPLE OF USE



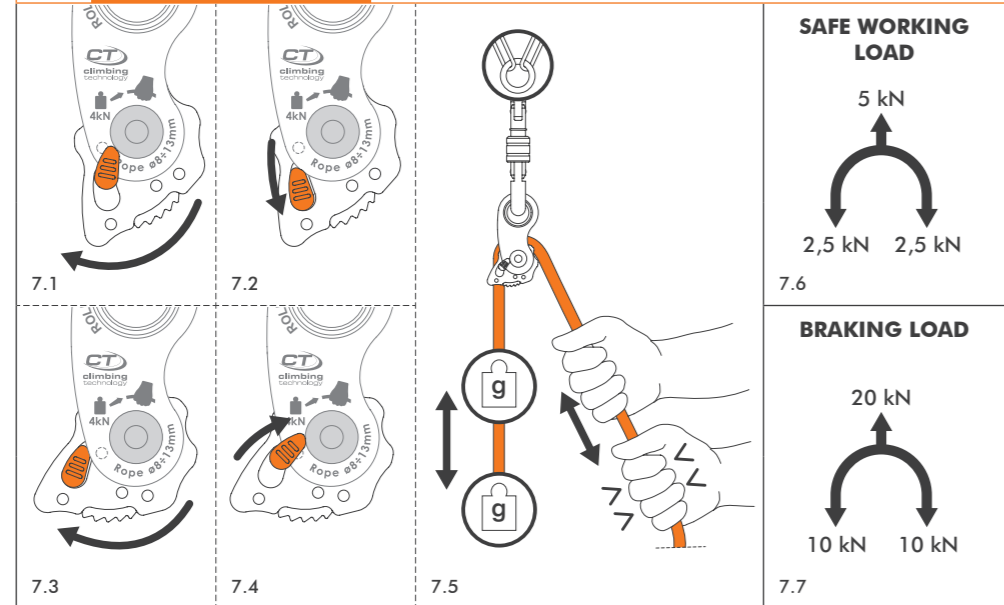
## 5 HAULING PULLEY MODE INSTALLATION



## 6 HAULING PULLEY MODE INSTRUCTIONS FOR USE



## 7 SIMPLE PULLEY MODE INSTALLATION AND USE



**SAFE WORKING LOAD**

5 kN

2,5 kN 2,5 kN

**BRAKING LOAD**

20 kN

10 kN 10 kN

## 8 SLING ADJUSTMENT MODE INSTALLATION AND USE

